



1000W

# Zenith Gen-V Zero Tilt



## Technical

Light source:	Nichia LED
LED driver:	Remote (up to 300m)
System efficacy:	Up to 107lm/W (optic dependant)
System luminous flux:	Up to 113,000lm (optic dependant)
IEC protection class:	Class I

## Electrical

Input voltage:	198 - 440V <sub>AC</sub>
Input frequency:	50 - 60Hz
Typical input current:	230V <sub>AC</sub> : 4.8A 400V <sub>AC</sub> : 2.8A
Inrush current:	≤35A @ 400V <sub>AC</sub>
Inrush time:	≤5ms
Power factor:	230V <sub>AC</sub> : >0.97 400V <sub>AC</sub> : >0.90
Power consumption:	1000W ± 10%

## Materials

Housing:	Aluminium alloy
Cover:	Tempered glass - UV resistant
Bracket:	Aluminium alloy
Finish:	Marine grade powder coat
Fasteners:	Marine grade stainless 316

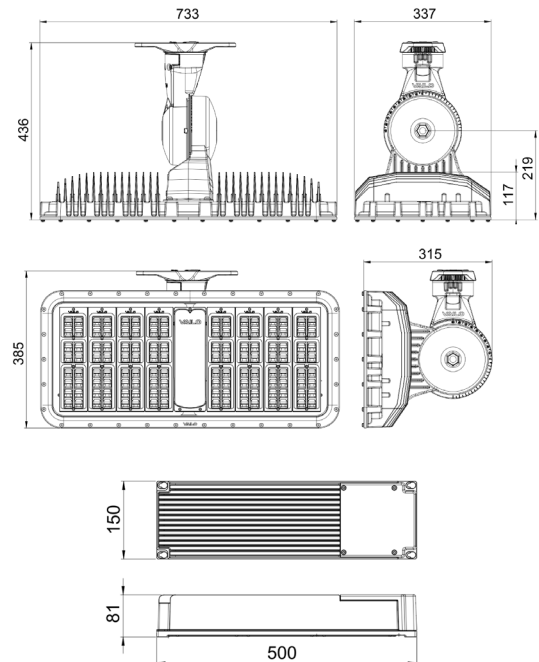
## Operational

Control interface:	DALI-2 or RDM / DMX
Ingress Protection:	IP66
Impact rating:	IK09
Lumen maintenance:	L80B10: >104,500hrs
IEC operating ambient temp:	-40°C to +55°C
IEC & AS/NZS performance ambient temp:	25°C indoor / 35°C outdoor
Operating humidity:	10 - 100% RH

## Physical

Dimensions:	734 x 338 x 117mm + bracket
LED module weight:	24.0 ± 1.0kg
LED driver weight:	6.0 ± 0.5kg
Mount:	Birdproof / Underslung (-US model)

## Product drawing

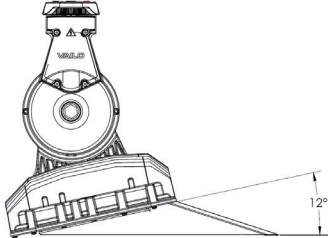


**Model code summary**

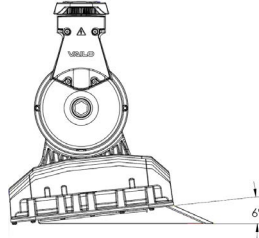
ZEN5- Range	1000W- Power	SG- Colour	K- Flux	70 CRI	57- CCT	F3W- Optic	US Bracket	+C6 Shield	Example
ZEN5	1000W	SG OT	K L O	70	57 40 27	F6W F60 F6N F3W	US	NS LS C6 C12	No external shielding fitted With lower external shield fitted 6° Forward cut-off visor 12° Forward cut-off visor
Zenith Gen V product		Standard grey powder coat finish Other colours available upon request		Min CRI 70, Typ CRI 75		5700K 4000K 2700K	Underslung Only / Birdproof Cabling Bracket		
1000W wattage class		138,000 source lumens (typical CRI70 5700K & 4000K) 126,000 source lumens (typical 2700K) 100,000 source lumens (typical CRI90)		Asymmetrical 60° forward throw wide beam Asymmetrical 60° forward throw medium width beam Asymmetrical 60° forward throw narrow beam Asymmetrical 30° forward throw wide beam					

**Optional shield accessories**

+C12  
12° forward cut-off visor



+C6  
6° forward cut-off visor



+LS  
Lower external shield fitted

